



B.P 9168
 95075 CERGY PONTOISE CEDEX
 Tél : 01 34 48 34 10 / Fax : 01 34 21 80 40
 info@epcifrance.com
 www.epcifrance.com

PIEDS REGLABLES ZAMAK
Série 1649



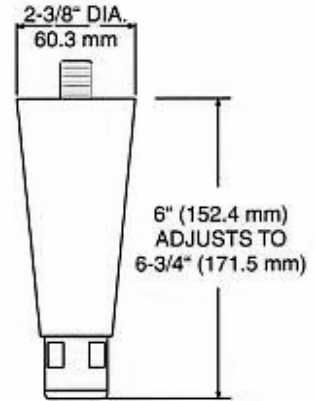
REF. A



REF. B



REF. C



Ref.	Model n°	Mounting Stud	Toe Description
A	6164900BC5F4	1/2"-13 Flush	Chrome Plated Die-cast Zamak
	6164900BC5T4	1/2"-13 Thru	Chrome Plated Die-cast Zamak
	6164900BC6F4	5/8"-11 Flush	Chrome Plated Die-cast Zamak
	6164900BC6T4	5/8"-11 Thru	Chrome Plated Die-cast Zamak
B	6164900B05F4	1/2"-13 Flush	Natural Zamak
	6164900B05T4	1/2"-13 Thru	Natural Zamak
	6164900B06F4	5/8"-11 Flush	Natural Zamak
	6164900B06T4	5/8"-11 Thru	Natural Zamak
C	6164900SB5F4	1/2"-13 Flush	Black Powder Coated Die-cast Zamak
	6164900SB5T4	1/2"-13 Thru	Black Powder Coated Die-cast Zamak
	6164900SB6F4	5/8"-11 Flush	Black Powder Coated Die-cast Zamak
	6164900SB6T4	5/8"-11 Thru	Black Powder Coated Die-cast Zamak
D	6164900BP5F4	1/2"-13 Flush	Black Plastic Hex
	6164900BP5T4	1/2"-13 Thru	Black Plastic Hex

Static Load Rating : 2000 lbs. (907.0Kg) per leg

SPECIFICATIONS

Leg : Black ABS plastic with zinc plated steel stud

Foot : Round die-cast Zamak with wrench flats
 Plastic glide

OPTIONS

Three Styles of removal or welded mounting plates
 Legs may be ordered packages in set of 4 for customer
 Non-removable foot available

