



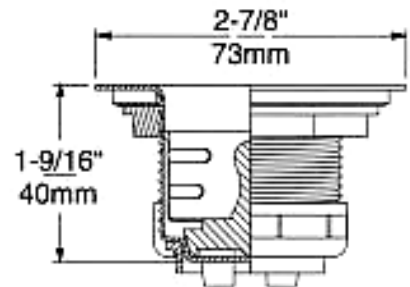
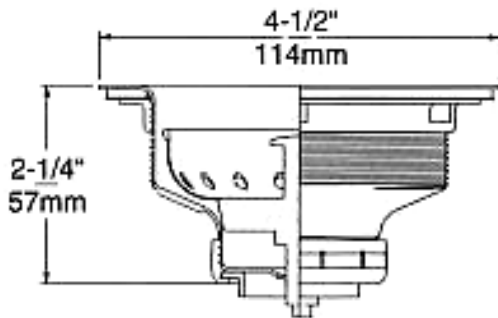
B.P 9168
 95075 CERGY PONTOISE CEDEX
 Tél : 01 34 48 34 10 / Fax : 01 34 21 80 40
 info@epcifrance.com
 www.epcifrance.com

BONDES



ITEM # 463-2008

ITEM # 463-2004



- Stainless Steel construction

- Combination removable crumb cup and stopper

Model n°	Item	Sink Opening	NPS	Face Flange Diameter	Qty / Carton
60463002004	Mini Basket Drain	1-7/8" (47mm)	1-1/2"	2-7/8" (73mm)	50
60463002008	basket Drain	3-1/2" (89mm)	1-1/2"	4-1/2" (108mm)	50

SPECIFICATIONS

Material : 400 Stainless Steel strainer and drain housing; rubber stopper and flange gasket, zinc stem, compression nut and lock nut; polypropylene compression sleeve.

